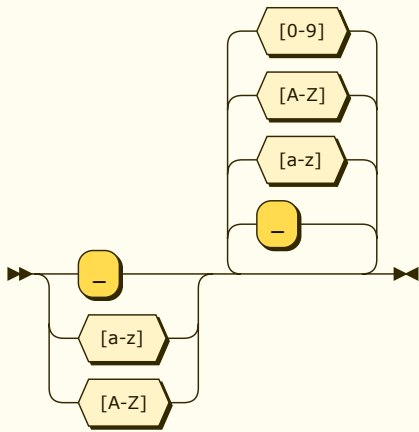


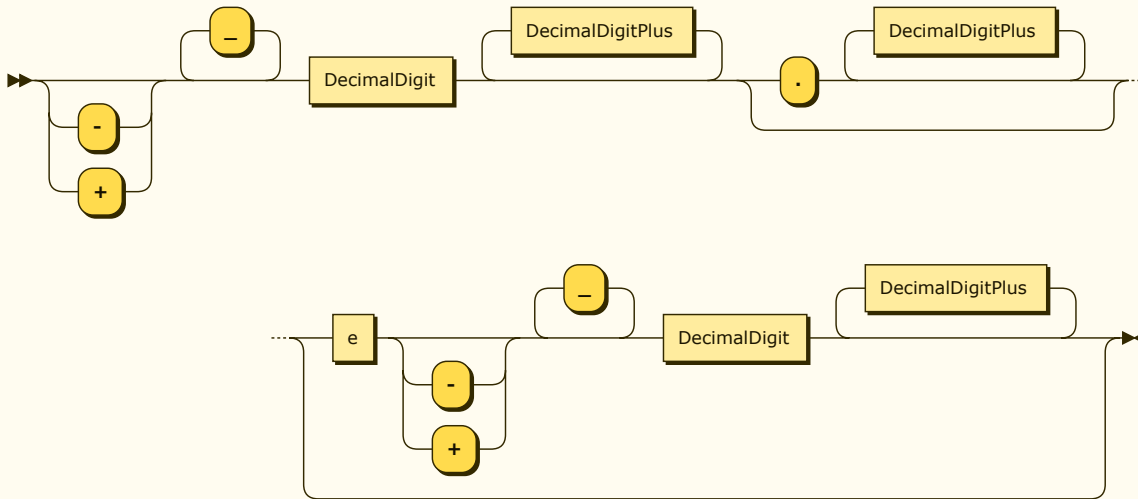
Identifier:



Identifier
 ::= [_a-zA-Z] [_a-zA-Z0-9]*

no references

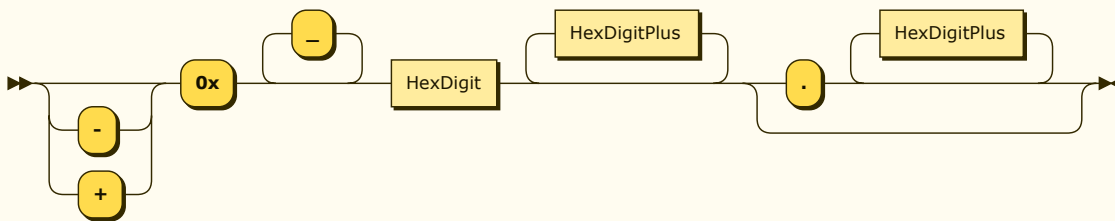
DecimalNumber:



DecimalNumber
 ::= [-+]? '_'* DecimalDigit DecimalDigitPlus* ('.' DecimalDigitPlus*)? (e [-+]? '_'* DecimalDigit DecimalDigitPlus*)?

no references

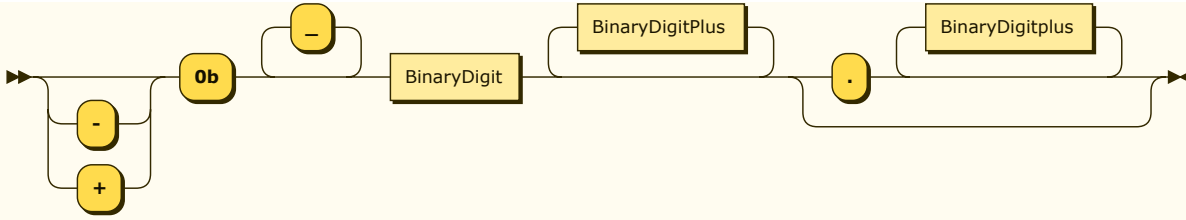
HexNumber:



HexNumber
 ::= [-+]? '0x' '_'* HexDigit HexDigitPlus* ('.' HexDigitPlus*)?

no references

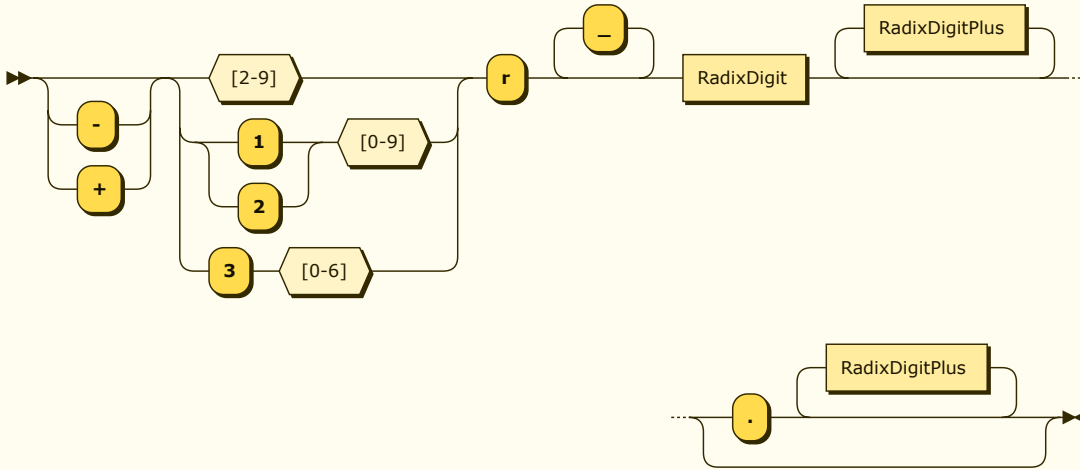
BinaryNumber:



`BinaryNumber`
`::= [-+]? '0b' '_'* BinaryDigit BinaryDigitPlus* ('.' BinaryDigitPlus*)?`

no references

RadixNumber:



`RadixNumber`
`::= [-+]? ([2-9] | [1-2] [0-9] | '3' [0-6]) 'r' '_'* RadixDigit RadixDigitPlus* ('.' RadixDigitPlus*)?`

no references

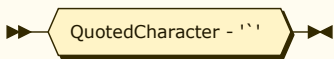
Character:



`Character`
`::= ''' BackQuotedCharacter '''`

no references

BackQuotedCharacter:

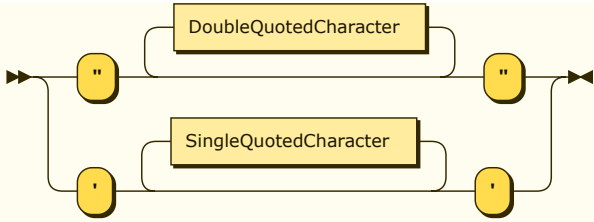


`BackQuotedCharacter`
`::= QuotedCharacter - '''`

referenced by:

- [Character](#)

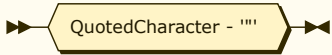
String:



```
String ::= ''' DoubleQuotedCharacter* '''
        | ''' SingleQuotedCharacter* '''
```

no references

DoubleQuotedCharacter:

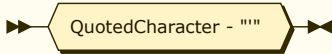


```
DoubleQuotedCharacter
    ::= QuotedCharacter - '''
```

referenced by:

- [String](#)

SingleQuotedCharacter:

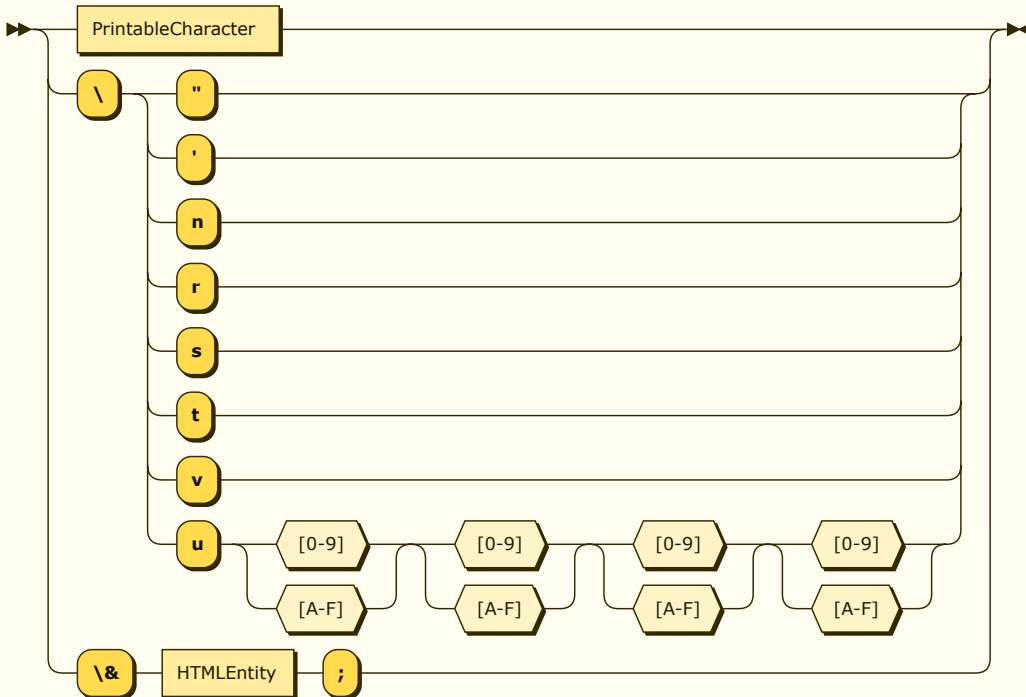


```
SingleQuotedCharacter
    ::= QuotedCharacter - '''
```

referenced by:

- [String](#)

QuotedCharacter:



```
QuotedCharacter
    ::= PrintableCharacter
       | '\ ' ( ''' | ''' | 'n' | 'r' | 's' | 't' | 'v' | 'u' [0-9A-F] [0-9A-F] [0-9A-F] [0-9A-F] )
       | '\&' HTMLEntity ';' ;
```

referenced by:

- [BackQuotedCharacter](#)
- [DoubleQuotedCharacter](#)
- [SingleQuotedCharacter](#)

PrintableCharacter:

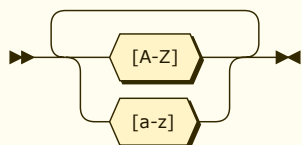


```
PrintableCharacter
 ::=
```

referenced by:

- [QuotedCharacter](#)

HTMLEntity:

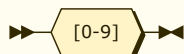


```
HTMLEntity
 ::= [A-Za-z]+
```

referenced by:

- [QuotedCharacter](#)

DecimalDigit:

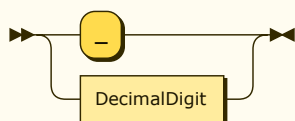


```
DecimalDigit
 ::= [0-9]
```

referenced by:

- [DecimalDigitPlus](#)
- [DecimalNumber](#)

DecimalDigitPlus:

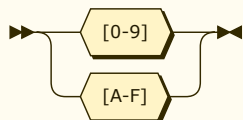


```
DecimalDigitPlus
 ::= '-'
 | DecimalDigit
```

referenced by:

- [DecimalNumber](#)

HexDigit:

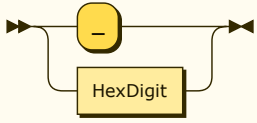


```
HexDigit ::= [0-9A-F]
```

referenced by:

- [HexDigitPlus](#)
- [HexNumber](#)

HexDigitPlus:

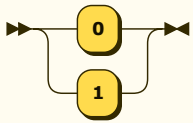


```
HexDigitPlus
 ::= '-'
    | HexDigit
```

referenced by:

- [HexNumber](#)

BinaryDigit:

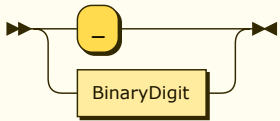


```
BinaryDigit
 ::= [0-1]
```

referenced by:

- [BinaryDigitPlus](#)
- [BinaryNumber](#)

BinaryDigitPlus:

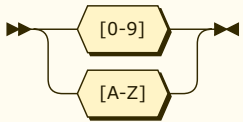


```
BinaryDigitPlus
 ::= '-'
    | BinaryDigit
```

referenced by:

- [BinaryNumber](#)

RadixDigit:

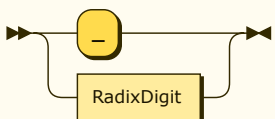


```
RadixDigit
 ::= [0-9A-Z]
```

referenced by:

- [RadixDigitPlus](#)
- [RadixNumber](#)

RadixDigitPlus:



```
RadixDigitPlus  
 ::= '0' |  
    | RadixDigit
```

referenced by:

- [RadixNumber](#)

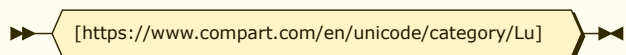
LowerCase:



```
LowerCase  
 ::= [https://www.compart.com/en/unicode/category/Ll]
```

no references

UpperCase:



```
UpperCase  
 ::= [https://www.compart.com/en/unicode/category/Lu]
```

no references

... generated by [RR - Railroad Diagram Generator](#) 